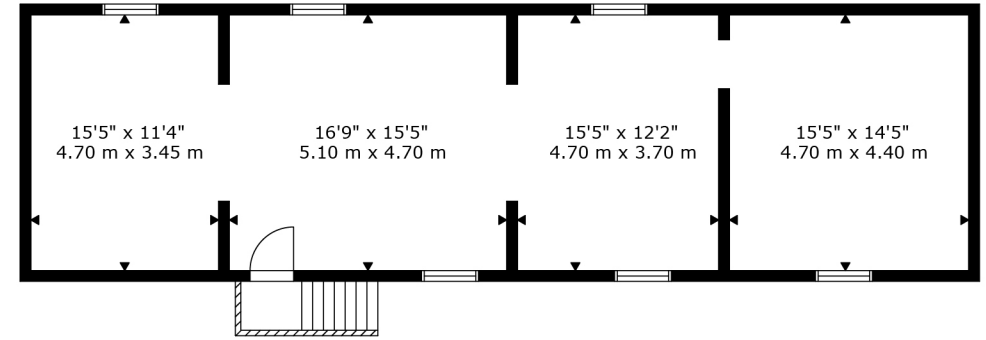


GROUND FLOOR



FIRST FLOOR

GROSS INTERNAL AREA
 GROUND FLOOR: 1044 sq ft, 97 m²
 FIRST FLOOR: 872 sq ft, 81 m²
 TOTAL: 1916 sq ft, 178 m²

FLOORPLAN FOR GUIDANCE ONLY, NOT TO SCALE OR VALUATIONS PURPOSES. IT MUST NOT BE RELIED UPON AS A STATEMENT OF FACT. ALL MEASUREMENTS AND AREAS ARE APPROXIMATE.